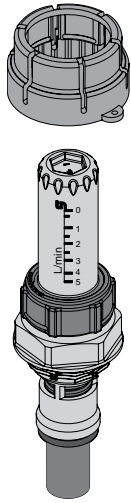
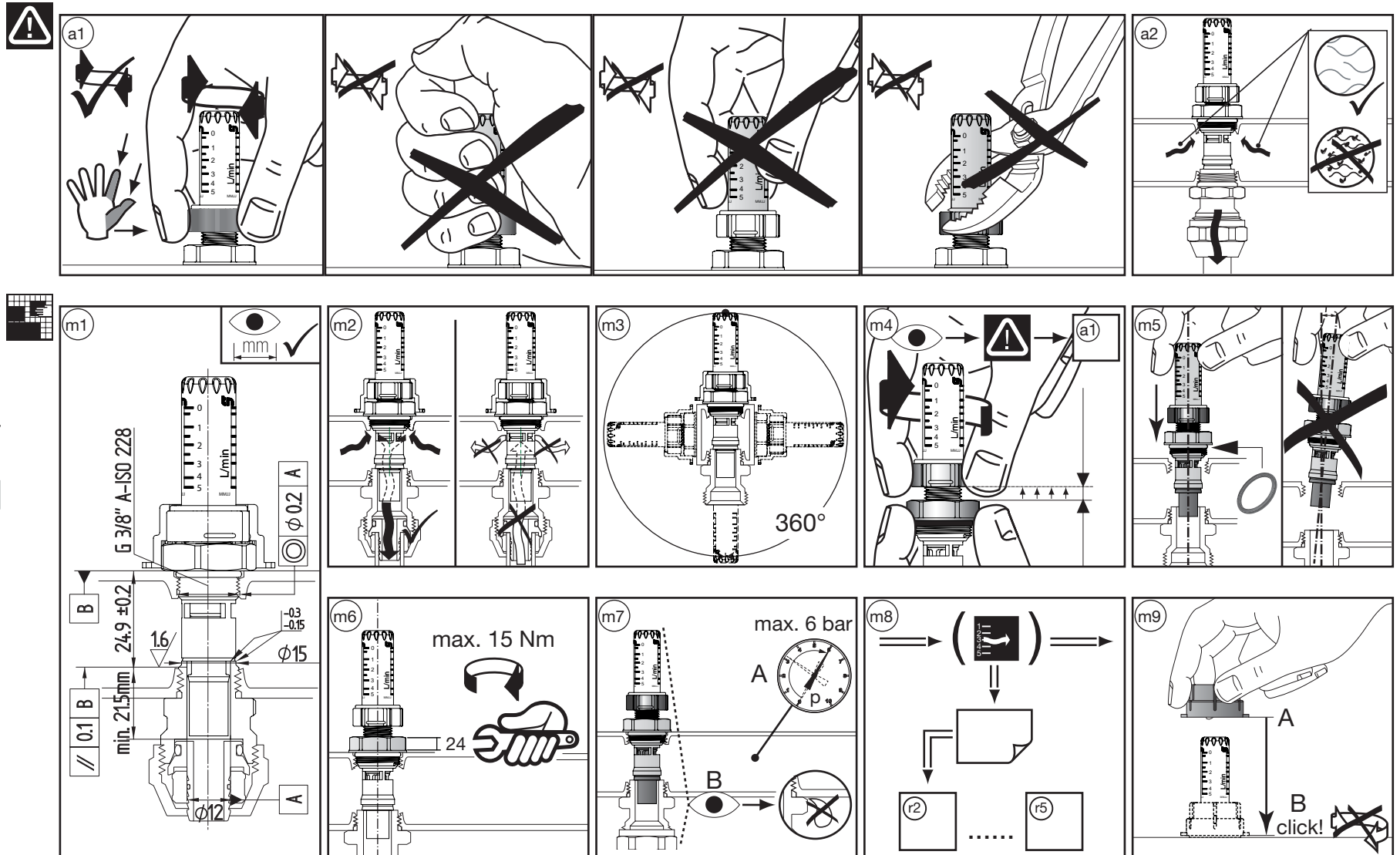


# AO 23 TOPMETER VL 3/8"



DN	G	Wrench
10	3/8"	24

TB	-10...70°C	
PB	6 bar	



# AO 23 TOPMETER VL 3/8"

