

AA 23 FLOMETER

Flow Indicator



Direct indications of flows in hydraulic systems.

Description

The FLOMETER offers an accurate and convenient indication of flow rates in heating -, ventilation -, air conditioning - and cooling systems.

Due to the compact design of the FLOMETER, the installation of a flow rate indicator is possible, even at most limited space.

The particular connection is suitable for a direct and economic fit to components with eurocone adaptors.

Installed on heating manifolds or on a valve, the FLOMETER forms an economical extension of the function with big benefits. For example, each throttle valve in addition with a FLOMETER turns into a multi function valve for the balancing and the indication of flow rates.

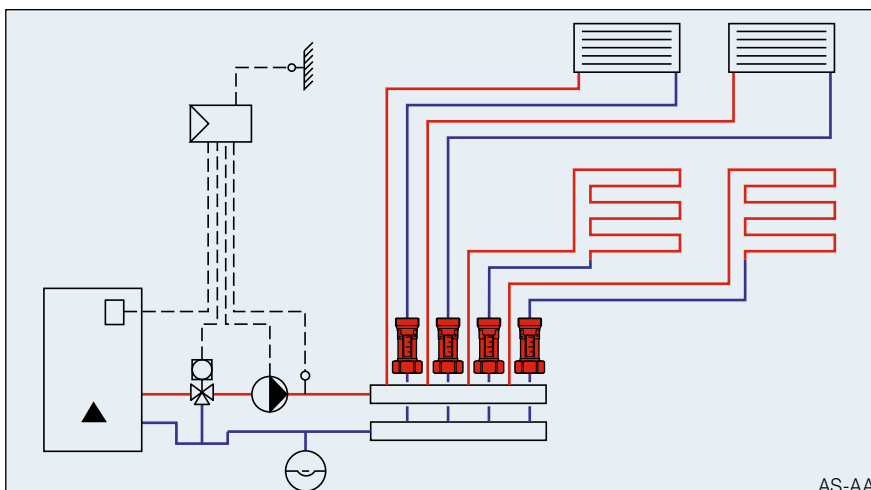
With the FLOMETER, any qualified fitter can read the appropriate flow rate easily on site, without any additional measuring device or special training.

Installation

The valve can be installed in a horizontal, vertical or inclined position. Care should be taken in order to ensure that the arrow is pointing in the direction of the flow.

Advantages

- The flow rate is displayed directly in l/min
- Accurate and quick indication of flow rates without additional measuring devices
- High accuracy
- Low pressure loss
- Eurocone bore hole
- Can be installed in any position
- Compact design



Operation

The flow measurement is based on the principle of a baffle float with countersprings.

The flow rate is displayed on a calibrated scale by an integrated flowmeter.

The reading position is the bottom line of the baffle float.

AA 23 FLOMETER

Specification text

Flow rate indicator FLOMETER with direct indication of the flow rate in l/min.

Gauge with baffle float and return spring.

Measured values can be read directly at the sight glass without tables, diagrams or measuring devices.

Low pressure loss

Can be installed in any position

Technical data

Max. operating temperature: 100 °C

Max. operating pressure: 10 bar

k_{vs} value and measurement range: see chart "Type program"

Measuring accuracy:
± 10 % of the indicated value

Material:

Housing: brass

Inside: stainless steel, brass, plastic

Sight glass: heat- and impact resistant plastic

Seals: EPDM

Threads: G (cylindrical) acc. to ISO 228

Fluids

- Water and proprietary additives used against corrosion and freezing
- Heating water (VDI 2035)
- Cooling water
- Potable water (with KTW certificate)



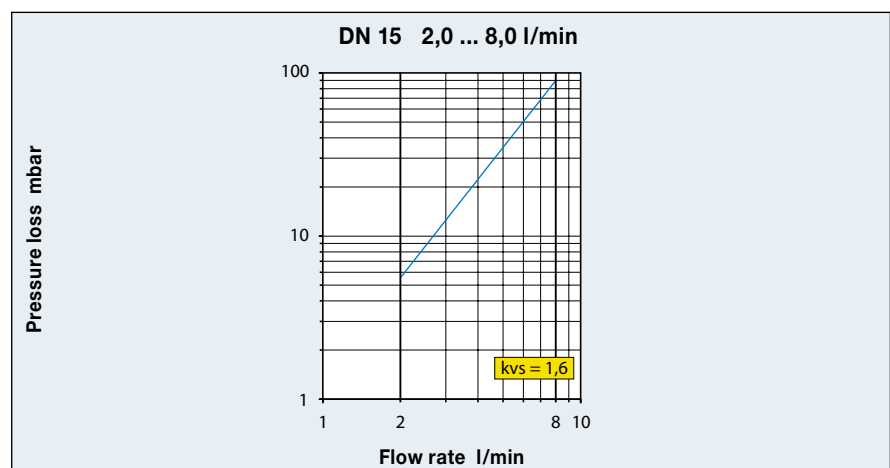
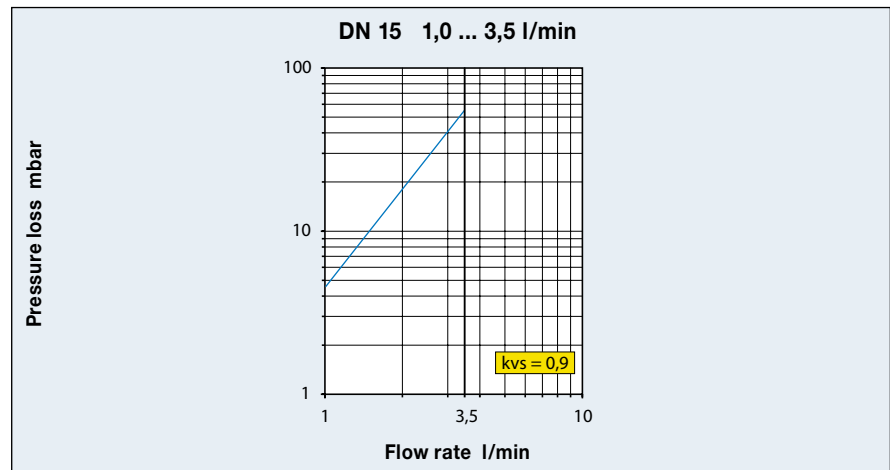
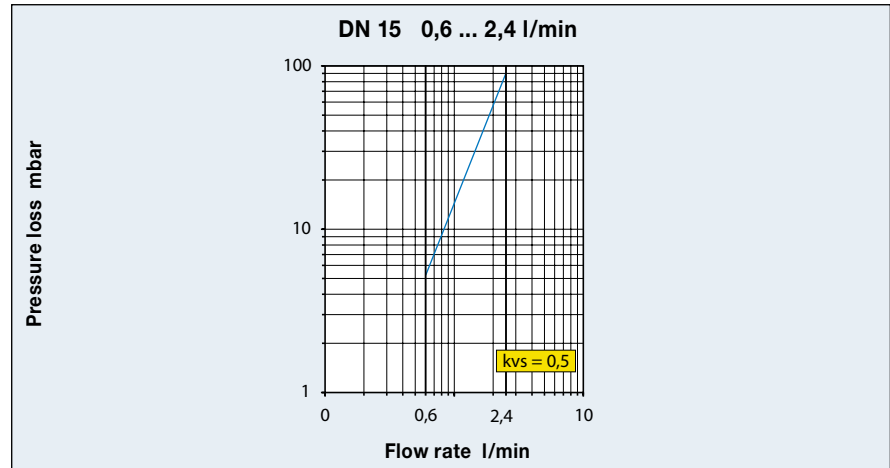
Type program

with 18 mm bore

Eurocone for connections TACONOVA / Heimeier / Herz

Code no.	DN	G × G	Measuring range	k_{vs} (m ³ /h)
223.4213.000	15	¾" × ¾"	0,6 – 2,4 (l/min)	0,5
223.4214.000	15	¾" × ¾"	1,0 – 3,5 (l/min)	0,9
223.4218.000	15	¾" × ¾"	2,0 – 8,0 (l/min)	1,6

Pressure loss diagram



Dimensions

